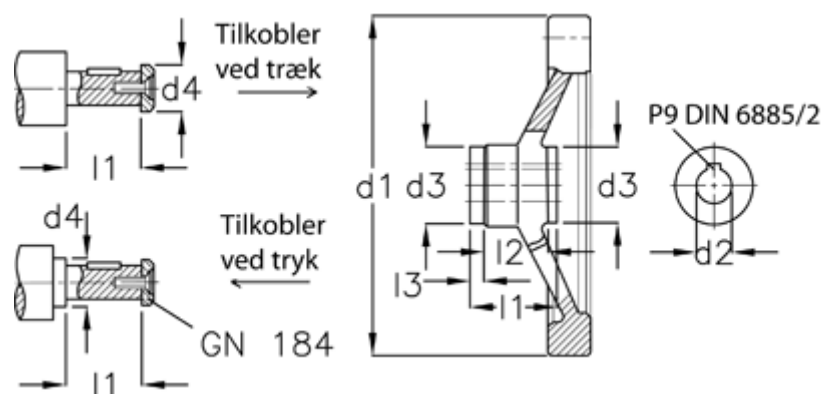


Article number: 20368341

Description: E+G Handwheel
GN 321.4-250-K22-A-ZI

Measures



d_1	= 250
d_2 H7	= 22
d_3	= 45
d_4 max	= 30
l_1	= 47.5
l_2	= 28
l_3	= 12